


PRODUCT SHEET

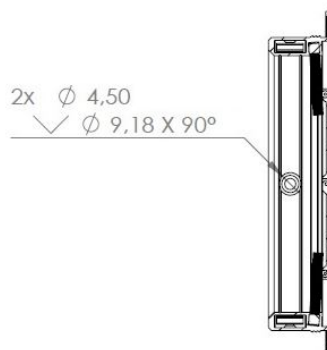
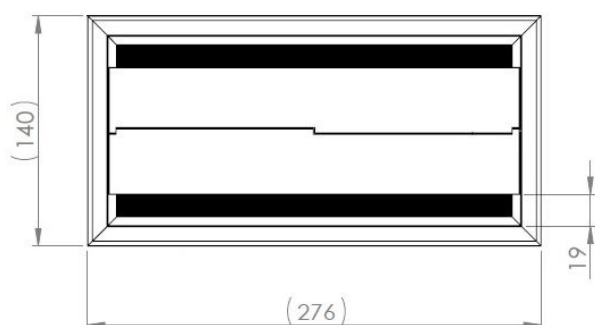
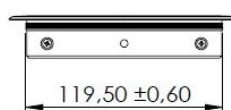
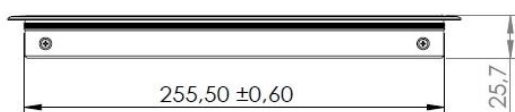
Description:

Alu. Grommet "Jive" 276x140x25,7mm, With Screws & Bumper

Item number:

25.20.370-0

| Units | Box | Carton | HS Code | Barcode |
|-------|-----|--------|------------|---|
| Pcs. | 1 | 80 | 7616991099 |  5704866468862 |



SISO A/S

Mileparken 11
DK-2740 Skovlunde
Denmark
VAT: DK 24786013

Phone +45 45 830 900

www.siso.dk
siso@siso.dk

Danske Bank
Nytorv Branch
Copenhagen
SWIFT: DABADKKK

Account no.
4180 3112 112936
IBAN Account
DK7230003112112936